

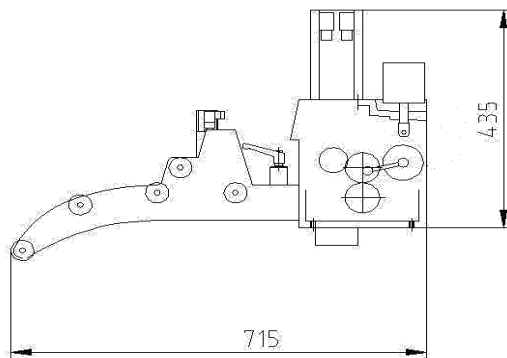


- 2 x 60 mm dia plain web rolls
- The 2 rolls are sandblasted and hard chrome plated (70 Rck)
- Movement transmission to the upper roll through a hardened cluster gear
- Electropneumatic release
- Roll opening stroke control through a manual stop
- Motorisation through a reduction gear free from play and a brushless motor
- Measuring of feed length via a motor resolver
- Strip end sensor
- Inlet guide made up of 2 hardened vertical rollers; manual adjustment, positioning on a setting rule, locking through handle
- Inlet basket made up of 3 plastic rolls, and 1 counter roll adjustable according to the thickness

RANGE AND FEATURES

Model	Max. width (mm)	Thickness (mm)		Max. thickness for max. width (mm)	Roll diameter (mm)	Max. section (mm ²)	Weight (kg)
		Min.	Max.				
1060 A	210	0.1	2	1.5	60	315	100
1060 B	310	0.1	2	1	60	310	130

DIMENSIONS



Model	L	A
1060 A	210	365
1060 B	310	465

