

NOTE: The layout may contain optional devices. Please check the final order.

Power supply
connection point E*

Air connection
point P*

QUOTATION DRAWING

tku 44/2009



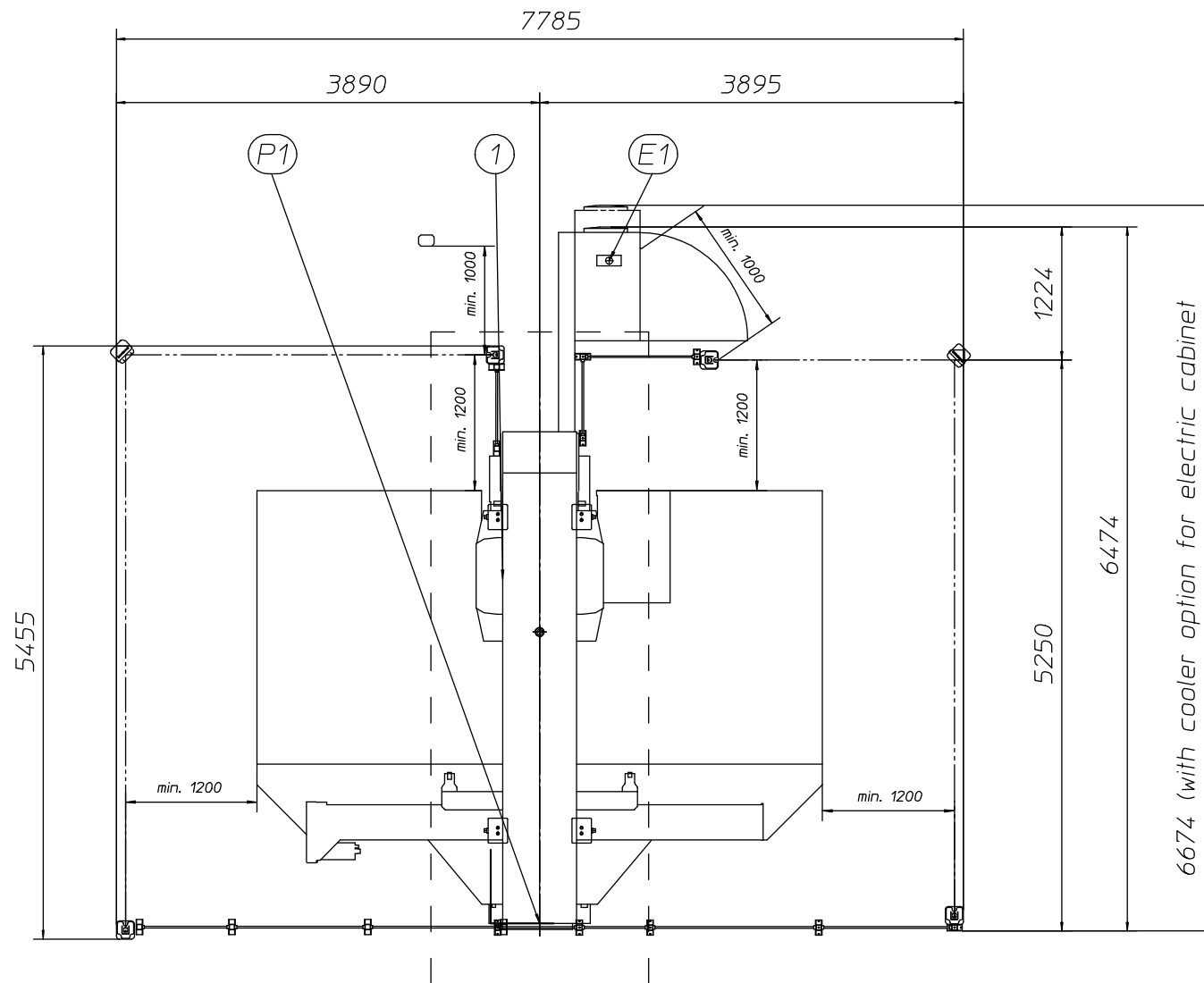
Product
E5x (12.2)

Customer

Drawing No
L000440c

STANDARD LAYOUT

Project No



1. E5x (12.2)