

NOTE: The layout may contain optional devices. Please check the final order.

Power supply connection point E*

Air connection point P*

QUOTATION DRAWING

JLa 12/2011



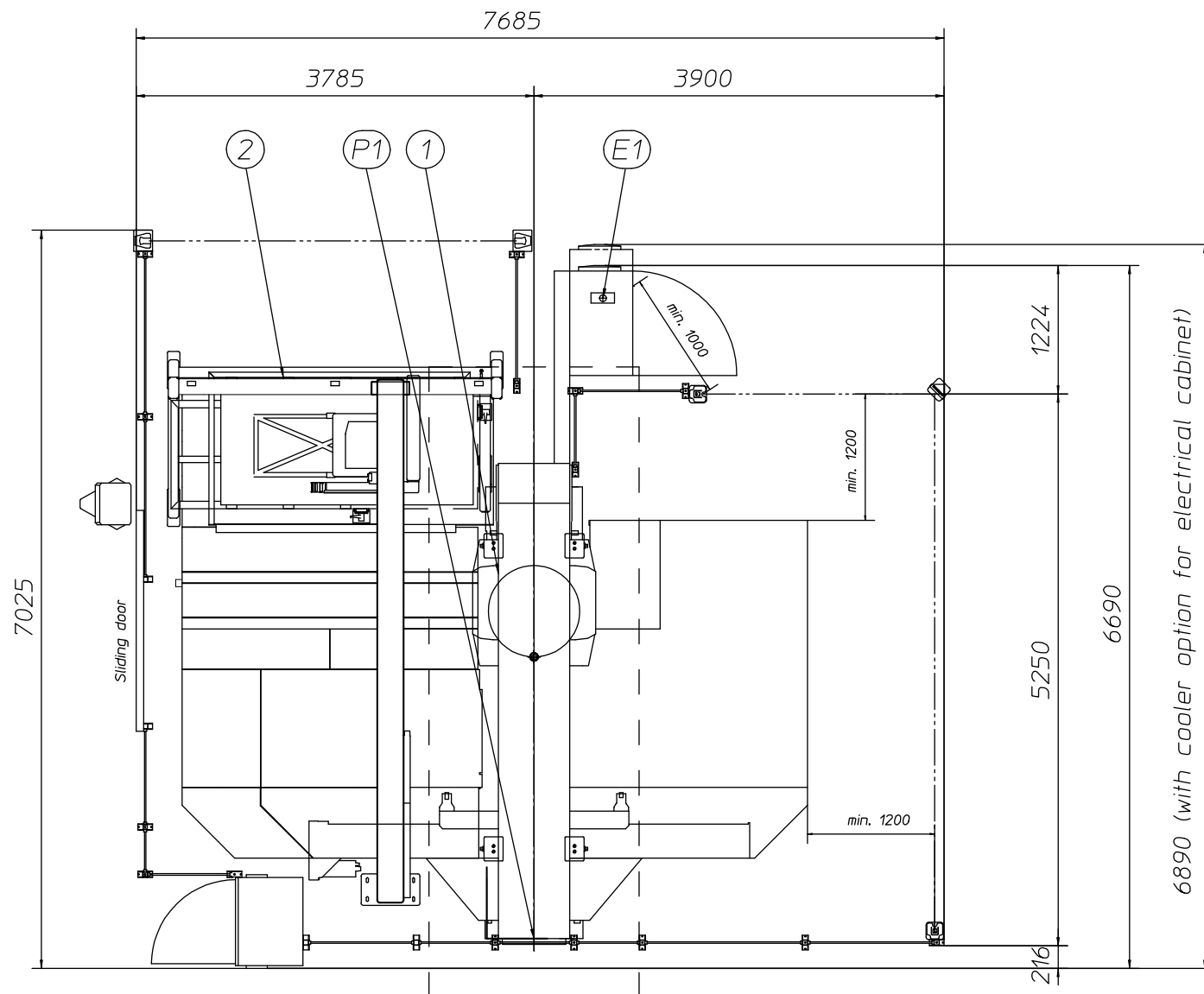
Product
E5x Compact Express

Customer

Drawing No
L001364a

STANDARD LAYOUT

Project No



1. E5x (12.2)
2. CE5 (1.22)