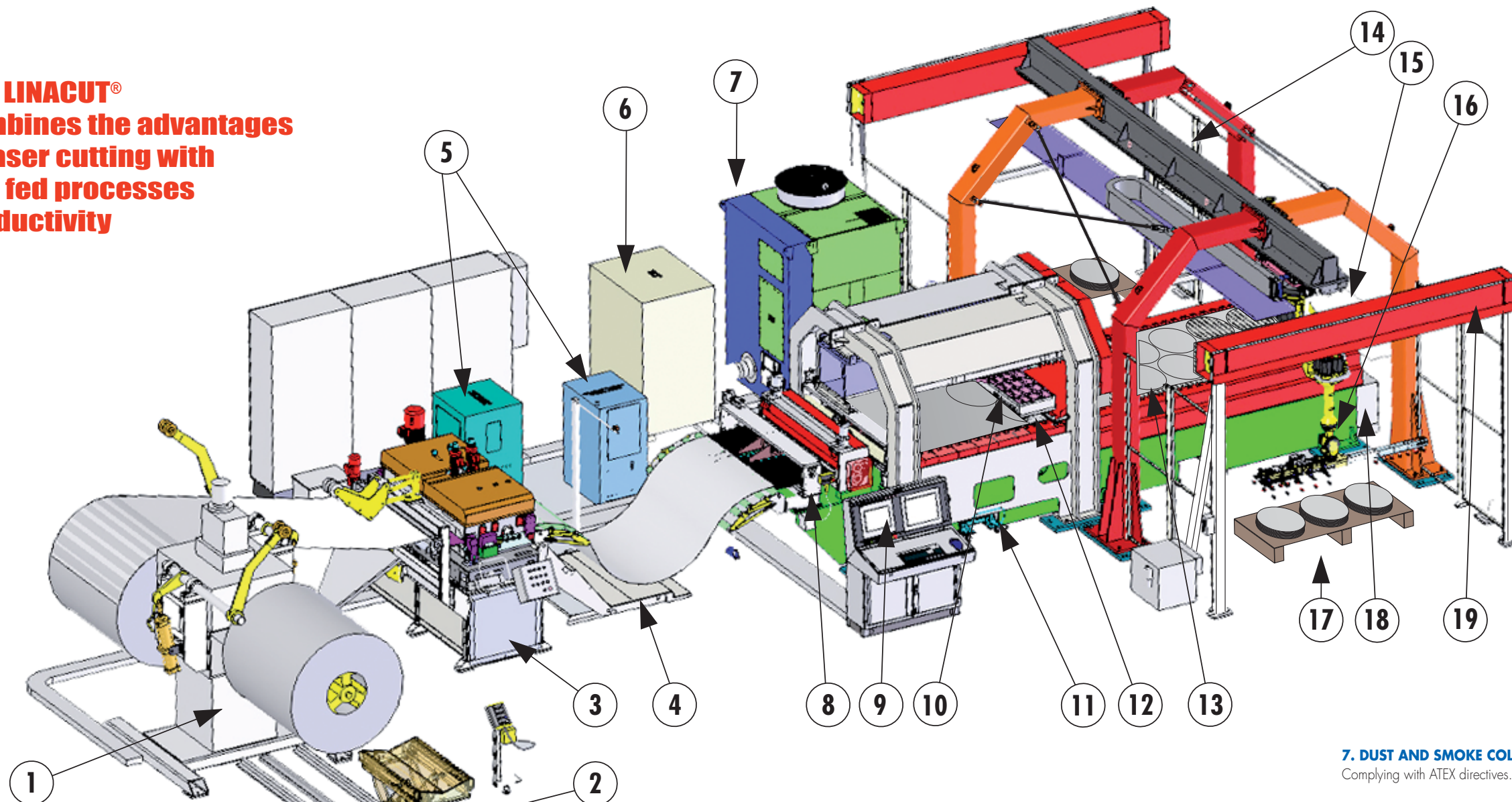


LINACUT® CONTINUOUS COIL LASER CUTTING SOLUTIONS

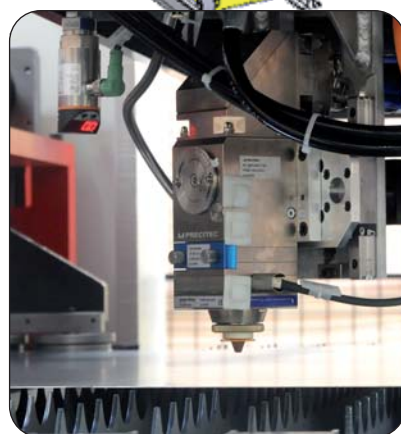
The LINACUT® combines the advantages of laser cutting with coil fed processes productivity

Thickness from 0,3 to 4 mm.

For all metal materials:
Mild or HSLA steel,
Galvanized, aluminized,
Pre-coated, filmed*,
Stainless steel
Laminations,
Aluminium, Copper.



Control panel



Cutting head



Part gripper

1. 5 TON DUAL DECOILER
Hydraulic expansion. For coils with maxi outer diameter of 1400 mm.

2. COIL LOADING CAR
With hydraulic travel and elevation.

3. PRECISION STRAIGHTENER
Openable head, programmable straightening parameters.

4. THREADING TABLE
Retractable.

5. COOLING UNITS
Laser source water cooler, linear motor cooling.

6. LASER SOURCE
2 KW fiber laser.

7. DUST AND SMOKE COLLECTOR
Complying with ATEX directives.

8. ROLL FEEDER
Fitted with strip measurement encoder, C.N.C. programmable centering guides.

9. CONTROL PANEL
Featuring a line supervision panel and PC monitor dedicated to CAM processor.

CAM PROCESSOR
From the line control panel or from the office desk. In addition to the usual nesting features, it ensures the generation of :
- The parameters of the coil handling line
- Head trajectories
- Laser source parameters
- Robot trajectories
- Gripper configurations
- Stacking slots allocation.

10. 2D GANTRY
Fitted with high performance linear motors.

11. SCRAP & DROSS CONTAINER

12. CUTTING HEAD
Fitted with integrated and aligned sensor technology and motorized focus adjustment.

13. MOVING SLAT CONVEYOR
Powered by servomotor.

14. GANTRY ROBOT
7 programmable axis, associated to part program.

15. PART OUTLET
For parts longer than 4 meters.

16. PART GRIPPER
Multiple patterns, associated to part program.

17. STACKING TABLE
Slots associated to part programs.

18. SKELETON CONTAINER
Configurable skeleton maxi size.

19. SHIELD CURTAINS
Compliance to EC directive for safety.

