

TOOL STORAGE SYSTEMS

PRESS BRAKE PRODUCTIVITY COMPONENTS®



TOOL STORAGE SYSTEM

Storage convenience to maximize Press Brake Productivity

Our vision is simple but powerful: We Live Press Brake Productivity! Everything we do is driven by this vision and focused on making the sheet metal industry more productive.

To achieve this, we think beyond the development and optimization of (new) products. The safe exchange and organized storage of tools is also an important step towards maximizing productivity. Our Press Brake Productivity (HD) ToolStation and Press Brake Productivity Cabinet are excellent examples.

The Press Brake Productivity ToolStation is available in two versions, both developed for the safe exchange and storage of New Standard tooling. The 'HD' version is designed for easy exchange and storage of very large and heavy tools. Both models offer fast tool change time while also improving ergonomics for the press brake operator.

In addition, The Press Brake Productivity Cabinet was developed for storing tools in an organized and compact way while also protecting them from potential damage.



Press Brake Productivity ToolStation



Press Brake Productivity Cabinet

PRESS BRAKE PRODUCTIVITY TOOLSTATION[®]

The Press Brake Productivity ToolStation has been specifically designed to safely change and store (heavy) New Standard tooling. Tool changing and storage operates on its best, when using upper and lower tools, equipped with Wila's E2M[®] bearing system. The loading arm, on which the required tools are rolled back and forth, is attached to a (heavy duty) guide rail. This creates a very stiff and stable transfer arrangement that ensures perfect alignment between the loading arm and the upper and lower tools. This guarantees safety and convenience when moving the tooling from the loading arm into the press brake.

Wila offers two versions of the ToolStation, both designed to suit New Standard Tools. The specifications are shown in the table.

- **PRESS BRAKE PRODUCTIVITY TOOLSTATION**
- **PRESS BRAKE PRODUCTIVITY 'HD' TOOLSTATION**



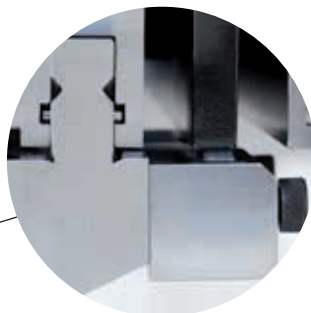
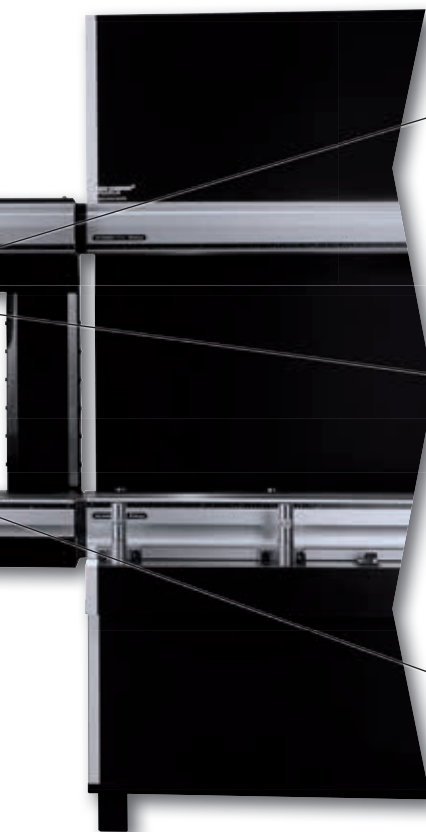
Each upper Tool Holder, used in combination with a Press Brake Productivity ToolStation, requires a dedicated guard with a safety mechanism for safe loading and unloading of the top tools (with E2M[®]). The movable load/unload arm will lock and unlock the guard.



Each lower Tool Holder, used in combination with a Press Brake Productivity ToolStation, requires a dedicated guard with a safety mechanism for safe loading and unloading of the bottom tools (with E2M[®]). The movable load/unload arm will lock and unlock the guard.



	TOOLSTATION	HD TOOLSTATION
STANDARD		
ToolStation with 1 load/unload arm (left or right)	●	●
Height of the load surface for the dies is adjustable between 856 mm and 975 mm	●	●
Daylight opening 650 mm	●	●
Sheet metal covers on top and all 4 sides	●	●
Color 'Wila black'	●	●
Aluminum 'Premium' coverstrip on load/unload arm, top & bottom	●	●
Guards to suit Wila made New Standard HC Toolholders	●	●
Storage capacity 17 meters of punches and dies	●	
Storage capacity 12 meters of punches and dies		●
Upper storage & load/unload arm equipped to support E2M® centric and eccentric		●
Upper storage & load/unload arm equipped to support E2M® centric	●	
Max. weight on load/unload arm 500 kg		●
Max. weight on load/unload arm 250 kg	●	
OPTIONAL		
Daylight opening 550 mm	○	○
Daylight opening 450 mm	○	○
2 rolling shutters (one to the front and one opposite of load/unload arm)	○	○
Color according to customers request	○	○
PBP Cabinet, containing 2 drawers (max. load 200 kg each)	○	○
Support rail under load/unload arm	○	○
Guard to suit non Wila made New Standard HC Toolholder	○	○
Illumination, positioned in the upper section	○	○
Additional (HD) ToolStation module, without load/unload arm	○	○



HD ToolStation comes equipped for 'Gooseneck' shaped New Standard top tools with extra side adjustment making it extremely easy and safe to exchange.



All ToolStations are equipped for New Standard top tools (with E2M®) making it extremely easy and safe to exchange.



All ToolStations are equipped for New Standard bottom tools (with E2M®) making it extremely easy and safe to exchange.

PRESS BRAKE PRODUCTIVITY CABINET

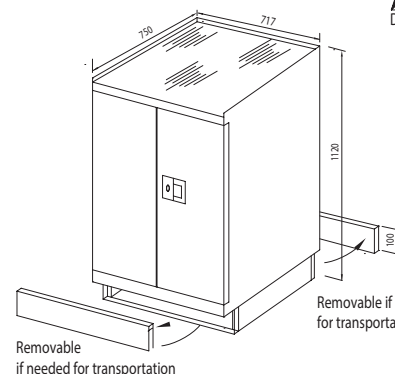
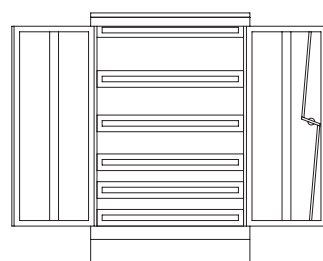
In order to be able to store tools in an organized and safe way, Wila has put on the market its Press Brake Productivity Cabinet.

These tool cabinets are delivered standard with:

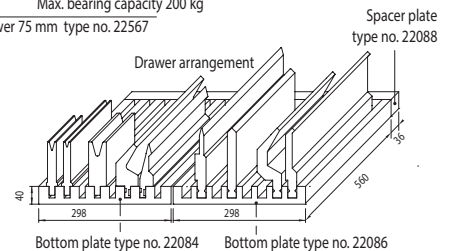
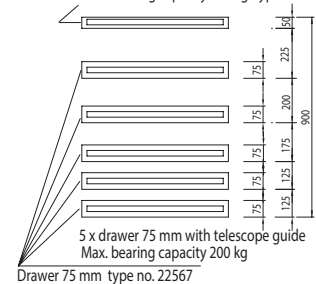
- 1 shallow drawer, bearing capacity of 100 kg, to store measuring tools etc.
- A base with removable kick plates front and back to allow for easy movement with fork-lift or pallet truck.
- A tiling guard, so that only 1 drawer at a time can be opened.
- Lockable doors.
- A black rubber mat on top.
- 5 drawers with perforated bottom, bearing capacity of 200 kg each.
The distance between the drawers can be adjustable easily in steps of about 25 mm.
- The arrangement of the tool drawers can be adjusted according to the tools to be stored.
- Each drawer has two bottom plates made from practically indestructible nylon with milled slots designed especially to hold vertically all Wila tools according to their adaption widths. Each drawer also includes one nylon spacer plate.
- Wila has 2 bottom plates in the program.
 - Bottom plate type no. 22084 suitable for the OZU lower tools of the complete New Standard program.
 - Bottom plate type no. 22086 suitable for the BIU top tools of the complete New Standard program.
 - Drawers, bottom and spacer plates (type no. 22088) can be delivered separately.



Wila has more cabinet arrangements available, more information can be received upon request.



1 drawer for hand and measurement tools, max. bearing capacity 100 kg type no. 22566



WILA. THE PRESS BRAKE PRODUCTIVITY PEOPLE.

Wila is totally focused on providing a line of products and support systems to maximize the productivity of your press brakes. For over 80 years, Wila has specialized in Clamping Systems, Crowning Systems and Tooling and Accessories to reduce set-up time and improve accuracy of the press brake. Through strong partnerships with the world's leading press brake manufacturers, an extensive and trained dealer network, long experienced regional managers, dedicated application support and engineering staff, Wila is always close at hand to support your needs.

WILA B.V.

P.O. box 60

NL-7240 AB Lochem

The Netherlands

Phone +31 (0)573 28 98 00

Phone sales +31 (0)573 28 98 50

E-mail: info@wila.nl



PRESS BRAKE PRODUCTIVITY CATALOG

Request a copy of the Press Brake Productivity Catalog
at www.wila.nl

www.wila.nl

 **WILA**
SINCE 1932
THE PRESS BRAKE PRODUCTIVITY PEOPLE