



> 1708 scrap chopper:

- Mechanical lever shears designed to shear cutting scraps
- Helicoidal blades
- Shears directly driven by the press
- Control through ram lowering, lifting through spring

> 1708 VP scrap chopper:

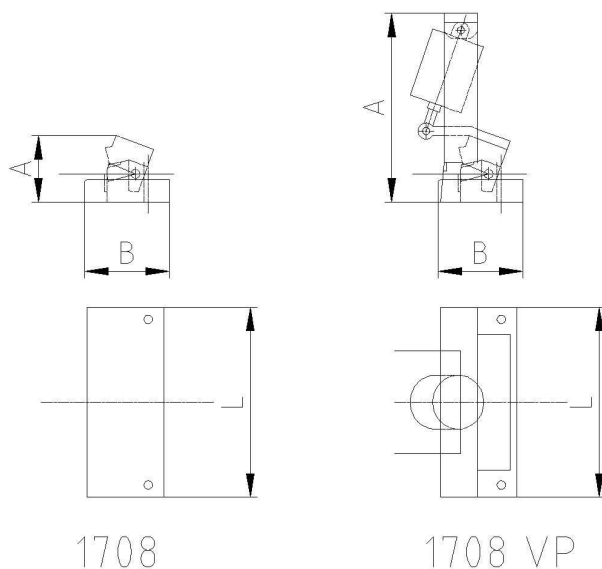
- Pneumatic shears designed to shear cutting scraps
- Helicoidal blades
- Shears driven by pneumatic cylinder
- Control through electrovalve



RANGE AND FEATURES

Model	Max. width (mm)	Max. thickness (mm)	Weight (kg)
1708 W	75	4.75	20
1708 A	150	4.75	24
1708 B	225	4.75	27
1708 D	300	4.75	31
1708 A VP	150	1.8	36
1708 B VP	225	1.8	40
1708 D VP	300	1.8	45

DIMENSIONS



Model	L	A	B
1708 W	269	146	173
1708 A	345	148	173
1708 B	422	151	173
1708 D	498	153	173
1708 A VP	345	419	171
1708 B VP	422	419	171
1708 D VP	498	419	171