

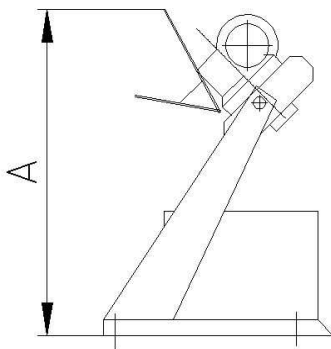


- Motorised scrap chopper
- Tilt adjustment
- Electrical cabinet and on-off contactor
- Fixed on independent feet

RANGE AND FEATURES

Model	Max. width (mm)	Max. thickness (mm)	Weight (kg)
1716 B	200	2.0	190
1716 C	300	2.0	235
1717 B	200	4.0	210

DIMENSIONS



Model	L	A	B
1716 B	790	1050	750
1716 C	890	1050	750
1717 B	790	1050	750

