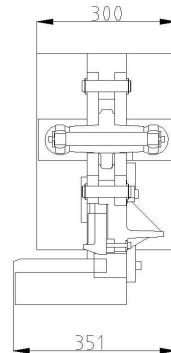
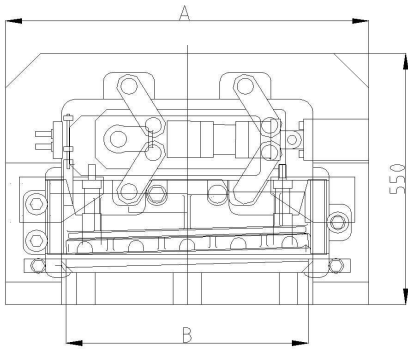


- Designed for accurate and fast cutting of thin and delicate sheets
- Knuckle joint shears driven by hydraulic cylinders
- Spring hold-down device
- Control through electrovalve
- Structure without base

## RANGE AND FEATURES

Model	Max. width (mm)	Max. thickness (mm)	Weight (kg)
<b>1727 D</b>	500	3.0	670
<b>1727 F</b>	800	2.0	930
<b>1727 G</b>	1000	1.5	1100

## DIMENSIONS



Model	A	B
<b>1727 D</b>	780	500
<b>1727 F</b>	1080	800
<b>1727 G</b>	1280	1000