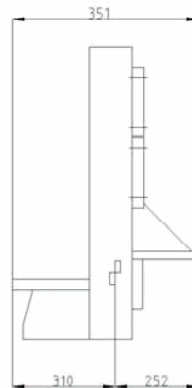
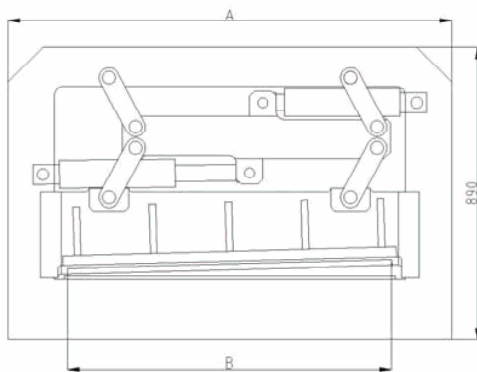


- Designed for accurate and fast cutting of thin and delicate sheets
- Knuckle joint shears driven by hydraulic cylinders
- Hydraulic hold-down device
- Control through electrovalve
- Structure without base

### RANGE AND FEATURES

Model	Max. width (mm)	Max. thickness (mm)	Weight (kg)
<b>1728 E</b>	650	4.0	1300
<b>1728 G</b>	1000	3.0	1850

### DIMENSIONS



Model	A	B
<b>1728 E</b>	990	650
<b>1728 G</b>	1340	1000