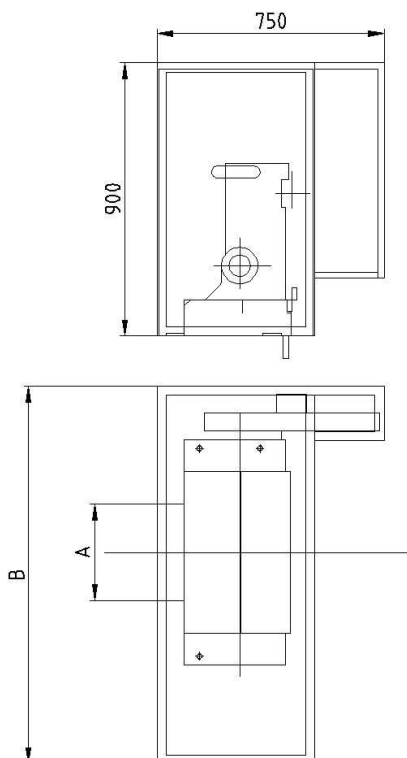


- Mechanical guillotine shears
- Designed to be integrated into a production line
- Crankshaft placed in the upper part of the shears
- Ram driven by 2 connecting rods
- Spring hold-down device
- Electropneumatic brake clutch
- Structure without base
- The electrical equipment is not integrated: the cycle is controlled through the line automatic controller

## RANGE AND FEATURES

Model	Max. width (mm)	Max. thickness (mm)	Weight (kg)
<b>1730 B</b>	300	3.0	590
<b>1730 D</b>	500	2.5	700
<b>1730 E</b>	650	2.0	950
<b>1730 G</b>	1000	2.0	1150
<b>1730 H</b>	1300	1.0	1550

## DIMENSIONS



Model	A	B
<b>1730 B</b>	300	1045
<b>1730 D</b>	500	1245
<b>1730 E</b>	650	1395
<b>1730 G</b>	1000	1745
<b>1730 H</b>	1300	2045